

EZMarquee - 2 Lines 40 Characters (Indoor)

2 Lines 40 Characters - NEMA 12

The 2 Line 40 Char EZMarquee can hold up to a maximum of 40 characters (2") per line and features 2 lines of RED/Tri-Color LEDs. EZMarquees are enclosed in NEMA 12 extruded aluminum housing with NEMA ICS 2-230 level of electrical noise immunity.

All 2 Line 40 Character models are capable of communicating over RS232 and RS422/485 along with different models for Ethernet, DeviceNet and Profibus connectivity.

Characteristics:

Character Height:	2" / 4"
Characters per Line:	40 / 20
Number of Lines:	2 / 1
Visibility:	100' / 200'

2 Lines 40 Characters feature:

- 2 lines of 40 characters max
- Pre-matched LEDs
- 24 Hour Burn-In tested
- International Character Set
- Hang Mounting
- NEMA 12 Housing
- NEMA ICS 2-230
- 110/220 VAC Power Input
- Surge Protection
- 100,000+ Hours Rated Life

See the different communication interface options available in the charts below



RED Indoor

RED High-bright

Model Number	Interface	Price	Del.
EZMR-2L40C	RS232 and RS422/485 only	\$1899	3DAY
EZMR-2L40C-E	Ethernet included	\$1999	3DAY
EZMR-2L40C-D	DeviceNet included	\$1999	3DAY
EZMR-2L40C-P	Profibus included	\$1999	3DAY

Model Number	Interface	Price	Del.
EZMRH-2L40C	RS232 and RS422/485 only	\$3799	3DAY
EZMRH-2L40C-E	Ethernet included	\$3999	3DAY
EZMRH-2L40C-D	DeviceNet included	\$3999	3DAY
EZMRH-2L40C-P	Profibus included	\$3999	3DAY

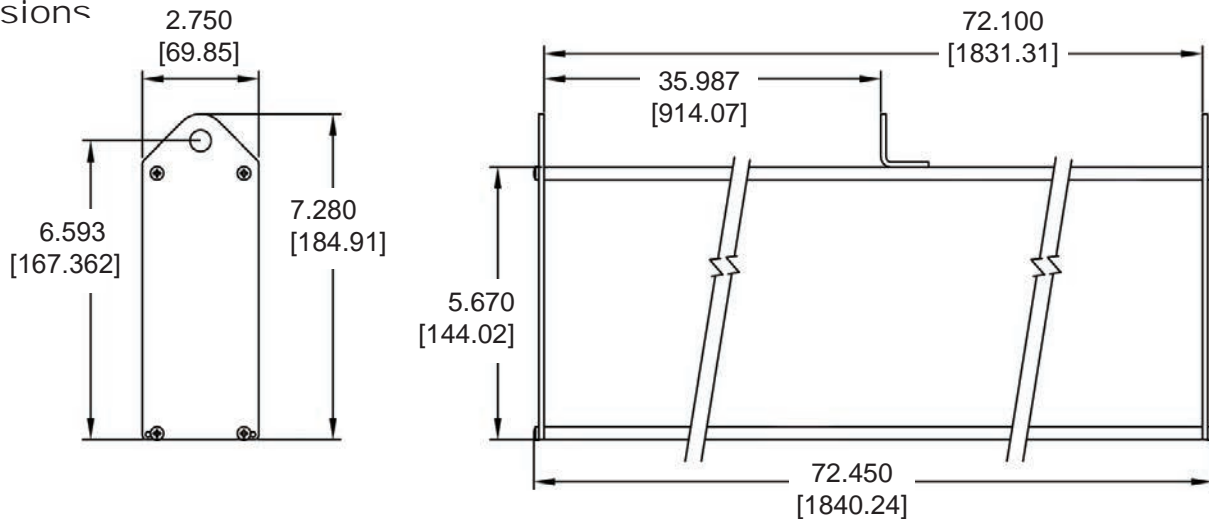


TRI color Indoor

Model Number	Interface	Price	Del.
EZMT-2L40C	RS232 and RS422/485 only	\$2199	3DAY
EZMT-2L40C-E	Ethernet included	\$2399	3DAY
EZMT-2L40C-D	DeviceNet included	\$2299	3DAY
EZMT-2L40C-P	Profibus included	\$2499	3DAY

2 Lines 40 Characters

Dimensions





EZMarquee 2 Line **20** Character and 2 Line 40 Character **Selection Guide and Specifications (Indoor)**

EZ Marquee Indoor Model Specifications					
Part Number	EZMR-2L20C \$999 EZMR-2L20C-E \$1159 EZMR-2L20C-D \$1129 EZMR-2L20C-P \$1199 EZMRH-2L20C \$1999 EZMRH-2L20C-E \$2259 EZMRH-2L20C-D \$2259 EZMRH-2L20C-P \$2499	EZMT-2L20C \$1199 EZMT-2L20C-E \$1299 EZMT-2L20C-D \$1299 EZMT-2L20C-P \$1299	EZMR-2L40C \$1899 EZMR-2L40C-E \$1999 EZMR-2L40C-D \$1999 EZMR-2L40C-P \$1999 EZMRH-2L40C \$3799 EZMRH-2L40C-E \$3999 EZMRH-2L40C-D \$3999 EZMRH-2L40C-P \$3999	EZMT-2L40C \$2199 EZMT-2L40C-E \$2399 EZMT-2L40C-D \$2299 EZMT-2L40C-P \$2499	
Display Type for Indoor	RED LED	TRI-Color LED	RED LED	TRI-Color LED	
Display Type for "H"	RED Sunlight Readable 8000 nits		RED Sunlight Readable 8000 nits		
Specification	2 Lines of 20 Char (2")		2 Lines of 40 Char (2")		
Max. Viewable Distance	200 Feet with 4" Characters				
Power Consumption	30 watts	55 watts	54 watts	100 watts	
Agency Approvals	UL, CUL, CE, pending				
Enclosure	NEMA 12 (Indoor only)				
Operating Temperature	-20° to 60° C Ambient				
Storage Temperature	-40° to 95° C Ambient				
Humidity	10% to 95% RH, Non-Condensing				
Input Power	110/220 VAC, 47-63Hz				
Electrical Interference	NEMA ICS 2-230 Showering Arc Test				
Electrical Tolerance	ANSI C37.90a-1974 (SWC) Surge With-Stand Capability Test				
Vibration	5 - 55 Hz 2G for 2 hours in the X, Y, and Z axis				
Shock	10G for under 12ms in the X, Y, and Z axis				
Serial Communications	Port 1 RS232; Port 2 RS422/485				
External Dimensions	36.1" x 11.7" x 2.8" (936.44 x 156.13 x 69.85mm)		72.1" x 5.4" x 2.8" (1831.31 x 106.35 x 69.85mm)		
Weight	8 lbs	8.5 lbs	15 lbs	16 lbs	