

# EZMarquee - 1 Line 40 Characters (Outdoor)

## 1 Line 40 Characters - NEMA 4X

The 1 Line 40 Char EZMarquee can hold up to a maximum of 40 characters (2") per line and features 1 line of RED/Tri-Color LEDs. EZMarquees are enclosed in NEMA 4X extruded aluminum housing with NEMA ICS 2-230 level of electrical noise immunity. All 1 Line 40 Character models are capable of communicating over RS232 and RS422/485 along with different models for Ethernet, DeviceNet and Profibus connectivity.

## Characteristics:

Character Height:	2"
Characters per Line:	40
Number of Lines:	1
Visibility:	100'

## 1 Line 40 Characters feature:

- 1 line of 40 characters max
- Pre-matched LEDs
- 24 Hour Burn-In tested
- International Character Set
- Hang Mounting
- NEMA 4/4X Outdoor Housing
- NEMA ICS 2-230
- 110/220 VAC Power Input
- Surge Protection
- 100,000+ Hours Rated Life

See the different communication interface options available in the charts below

1 Line of 2", 40 Characters per line

### RED Outdoor

Model Number	Interface	Price	Del.
<b>EZMR-1L40C-OUT</b>	RS232 and RS422/485 only	\$1999	STK
<b>EZMR-1L40C-E-OUT</b>	Ethernet included	\$2259	3DAY
<b>EZMR-1L40C-D-OUT</b>	DeviceNet included	\$2259	3DAY
<b>EZMR-1L40C-P-OUT</b>	Profibus included	\$3499	3DAY

### RED Outdoor Highlight

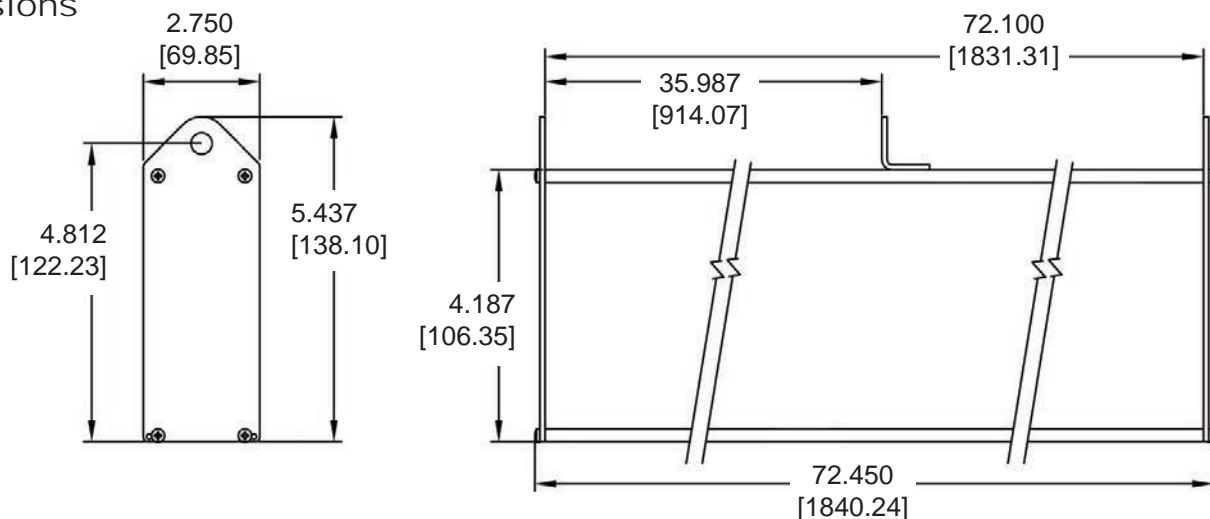
Model Number	Interface	Price	Del.
<b>EZMRH-1L40C-OUT</b>	RS232 and RS422/485 only	\$2999	STK
<b>EZMRH-1L40C-E-OUT</b>	Ethernet included	\$3499	3DAY
<b>EZMRH-1L40C-D-OUT</b>	DeviceNet included	\$3499	3DAY
<b>EZMRH-1L40C-P-OUT</b>	Profibus included	\$3499	3DAY

1 Line of 2", 40 Characters per line

### TRI color Outdoor

Model Number	Interface	Price	Del.
<b>EZMT-1L40C-OUT</b>	RS232 and RS422/485 only	\$2399	STK
<b>EZMT-1L40C-E-OUT</b>	Ethernet included	\$2699	3DAY
<b>EZMT-1L40C-D-OUT</b>	DeviceNet included	\$2899	3DAY
<b>EZMT-1L40C-P-OUT</b>	Profibus included	\$2999	3DAY

## 1 Line 40 Characters Dimensions





# EZMarquee 1 Line 20 Character and 1 Line 40 Character Selection Guide and Specifications (Outdoor)

EZ Marquee Outdoor Model Specifications					
Part Number	EZMR-1L20C-OUT \$1399 EZMR-1L20C-E-OUT \$1599 EZMR-1L20C-D-OUT \$1499 EZMR-1L20C-P-OUT \$1599 EZMRH-1L20C-OUT \$1999 EZMRH-1L20C-E-OUT \$2499 EZMRH-1L20C-D-OUT \$2499 EZMRH-1L20C-P-OUT \$1499	EZMT-1L20C-OUT \$1599 EZMT-1L20C-E-OUT \$1899 EZMT-1L20C-D-OUT \$1899 EZMT-1L20C-P-OUT \$1999	EZMR-1L40C-OUT \$1999 EZMR-1L40C-E-OUT \$2259 EZMR-1L40C-D-OUT \$2259 EZMR-1L40C-P-OUT \$3499 EZMRH-1L40C-OUT \$2999 EZMRH-1L40C-E-OUT \$3499 EZMRH-1L40C-D-OUT \$3499 EZMRH-1L40C-P-OUT \$3499	EZMT-1L40C-OUT \$2399 EZMT-1L40C-E-OUT \$2699 EZMT-1L40C-D-OUT \$2899 EZMT-1L40C-P-OUT \$2999	
Display Type for Indoor	RED LED	TRI-Color LED	RED LED	TRI-Color LED	
Display Type for "H"	RED Sunlight Readable 8000 nits		RED Sunlight Readable 8000 nits		
Specification	1 Line of 20 Char (2")		1 Lines of 40 Char (2")		
Max. Viewable Distance	100 Feet with 2" Characters		200 Feet with 4" Characters		
Power Consumption	15 watts	28 watts	30 watts	60 watts	
Agency Approvals	UL, CUL, CE, pending				
Enclosure	NEMA 4/4X (Outdoor rated)				
Operating Temperature	-20° to 60° C Ambient				
Storage Temperature	-40° to 95° C Ambient				
Humidity	10% to 95% RH, Non-Condensing				
Input Power	110/220 VAC, 47-63Hz				
Electrical Interference	NEMA ICS 2-230 Showering Arc Test				
Electrical Tolerance	ANSI C37.90a-1974 (SWC) Surge With-Stand Capability Test				
Vibration	5 - 55 Hz 2G for 2 hours in the X, Y, and Z axis				
Shock	10G for under 12ms in the X, Y, and Z axis				
Serial Communications	Port 1 RS232; Port 2 RS422/485				
External Dimensions	36.9" x 4.8" x 2.8" (936.44 x 121.43 x 69.85mm)		72.1" x 5.4" x 2.8" (1831.31 x 106.35 x 69.85mm)		
Weight	4.5 lbs	4.8 lbs	8 lbs	8.5 lbs	