

EZ TouchPLC® EZTouchPLC “Original” Nano 6”, 8”, and 10” TFT Color

EZTouchPLC “Original” Nano Overview with DH+/RIO, Profibus, CCLink, MB+, DeviceNet options

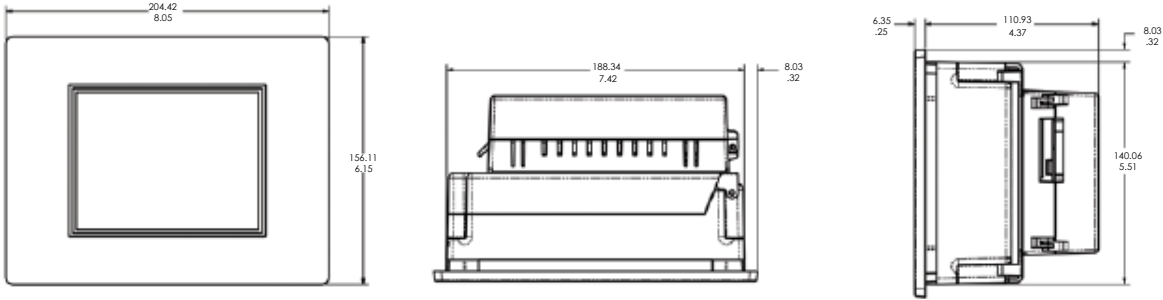
- Integrated HMI & Nano PLC has 16 DC In, 8 of 10 Amp 1 Form C Relay Outputs.
- DH+ option allows this product to integrate into the AB network
- The only PLC & HMI with 30+ Exceptionally Innovative and Unique Features and up to 48 I/O in one package.
- 8 Relay Outputs with 10 Amp 1 Form C, NO and NC contacts with built-in snubbers to extend contact life to 1 million cycles under load.
- Highest Processing power per cubic inch.
- Highest Reliability and Noise Immunity in industry.
- Easiest Integrated HMI and PLC Drag-n-Drop PLC programming software, common to all models, just for \$149
- Advanced functionalities, PID, Math, High Speed counters, PWM
- Fastest Processing time
- Status LED for each I/O in every model.
- Patented HMI on-line edit, No downtime
- All displays are TFT, rated at 400 NITs, 75K hours at 55 degree C.
- Resolution: 6”-320 x 240, 8” & 10”-640 x 480
- IP protection for qualified customers.
- All models have EZ Wifi \$49 option to connect to your laptop without cable
- Full project simulation on your PC
- “C” Level scripting and logic expressions
- Data logging, Recipes, EMail, free chart recorder except on models with hardware drivers.
- On-Screen Recipe Edit
- Remote Monitoring & Control smart phones & Ethernet except on models with hardware drivers.
- Most advanced alarm management
- Dual Driver capability to communicate to other PLC networks like DH+/RIO, Modbus+, CCLink, Profibus and DeviceNet.
- Best looking objects and animations.
- Most Rugged 0.090” thick anti-glare touch screen.
- Unicode for multiple languages.
- Full Project simulation on your PC.
- Unique Visibility tag for best screen space utilization.
- Trending Graphs
- Data Logging



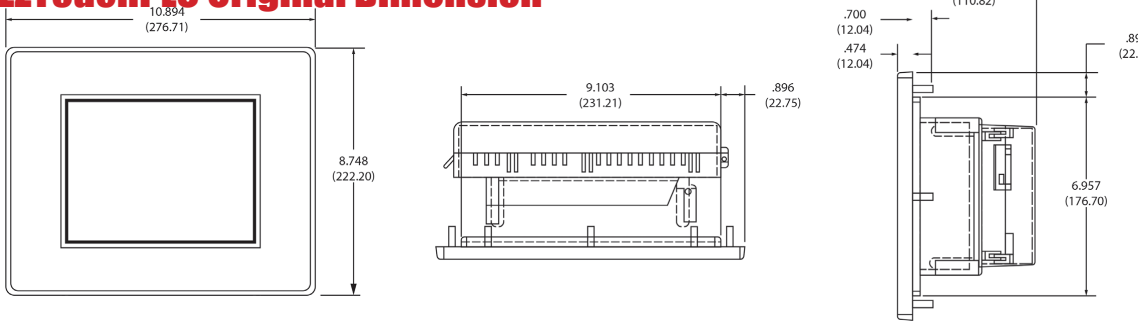
Part Number	Description	Price
<i>EZPP-T6C-FS-Nano-PLC</i>	6” TFT Color, DC Power, 24 I/O with option of Serial, Profibus, DH+, CCLink, MB+ Hardware Network cards for HMI	\$1099
<i>EZPP-T6C-FSP-Nano-PLC</i>		\$1799
<i>EZPP-T6C-FSH-Nano-PLC</i>		\$1799
<i>EZPP-T6C-FSC-Nano-PLC</i>		\$1899
<i>EZPP-T6C-FSM-Nano-PLC</i>		\$1899
<i>EZPP-T8C-FS-Nano-PLC</i>	8” TFT Color, DC Power, 24 I/O with option of Serial, Profibus, DH+, CCLink, MB+ Hardware Network cards for HMI	\$1599
<i>EZPP-T8C-FSP-Nano-PLC</i>		\$2299
<i>EZPP-T8C-FSH-Nano-PLC</i>		\$2299
<i>EZPP-T8C-FSC-Nano-PLC</i>		\$2399
<i>EZPP-T8C-FSM-Nano-PLC</i>		\$2399
<i>EZPP-T10C-FS-Nano-PLC</i>	10” TFT Color, DC Power, 24 I/O with option of Serial, Profibus, DH+, CCLink, MB+ Hardware Network cards for HMI	\$1599
<i>EZPP-T10C-FSP-Nano-PLC</i>		\$2299
<i>EZPP-T10C-FSH-Nano-PLC</i>		\$2399
<i>EZPP-T10C-FSC-Nano-PLC</i>		\$2399
<i>EZPP-T10C-FSM-Nano-PLC</i>		\$2299

Proudly Made in America

6" EZTouchPLC Original Dimension



8" EZTouchPLC Original Dimension



10" EZ3TouchPLC Dimension

