

Group AG - 240/480 (Primary)/120/240 VAC (Secondary) Control Transformers Specs

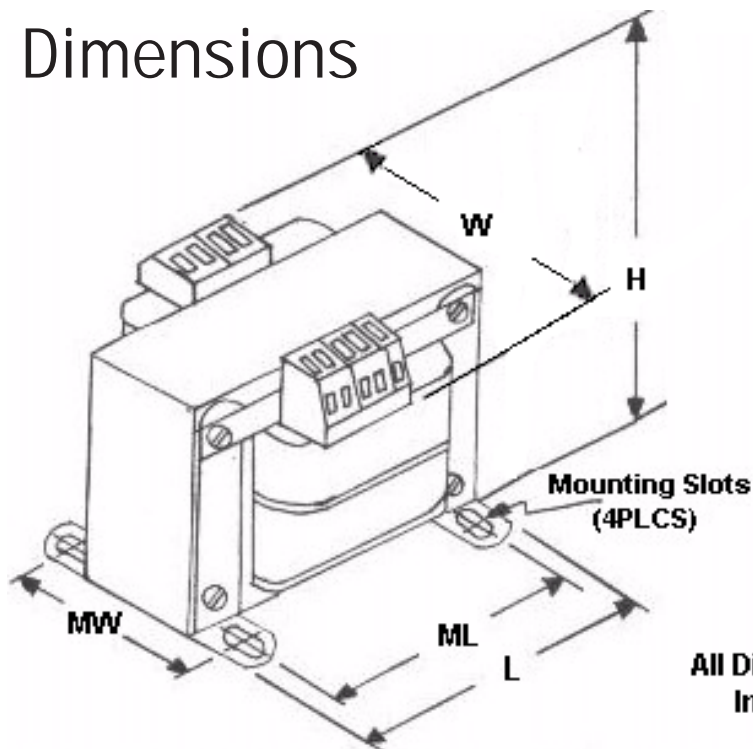
Primary Voltage : 240/480 VAC @ 50/60Hz

Secondary Voltage : 120/240 VAC



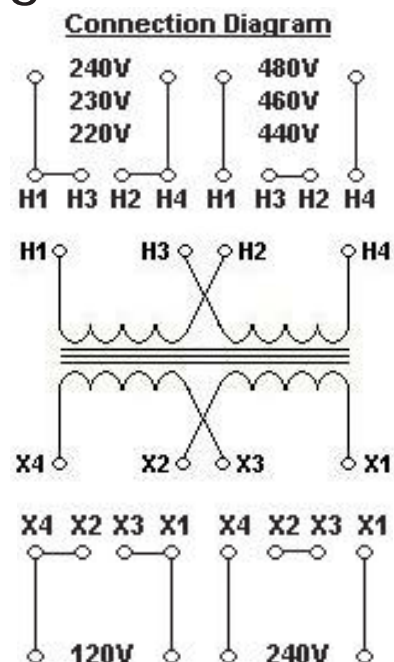
Part Number	VA	Output Current (Amps) 120/240	Impedance %z	Total Heat Dissipation (Watts)**	Overall Dimensions			Mounting Centers		Mt. Slot (4PLCS)	Wt. Lbs	Price
					L	W	H	ML	MW			
EZ-CT0050-AG00	50	0.42/0.21	8.3	11	3.000	3.563	2.750	2.500	2.250	3/8 x 13/64	2.72	\$34
EZ-CT0075-AG00	75	0.63/0.31	8.7	14	3.000	3.750	2.750	2.500	2.438	3/8 x 13/64	3.10	\$36
EZ-CT0100-AG00	100	0.83/0.42	8.4	14	3.000	3.750	2.750	2.500	2.625	3/8 x 13/64	3.26	\$42
EZ-CT0150-AG00	150	1.25/0.63	8.0	18	3.750	4.125	3.375	3.125	2.750	3/8 x 13/64	5.82	\$52
EZ-CT0250-AG00	250	2.08/1.04	7.8	29	4.125	4.313	3.500	3.438	3.000	3/8 x 13/64	9.34	\$67
EZ-CT0300-AG00	300				4.500	4.313	3.875	3.750	3.000	3/8 x 13/64	9.64	\$72
EZ-CT0350-AG00	350	2.92/1.46	7.0	33	4.500	4.813	3.875	3.750	3.500	3/8 x 13/64	11.50	\$78
EZ-CT0500-AG00	500	4.17/2.08	5.0	40	5.250	4.750	5.250	4.375	3.625	9/16 x 9/32	18.00	\$98
EZ-CT0750-AG00	750	6.25/3.13	4.9	54	5.250	5.250	5.250	4.375	4.125	9/16 x 9/32	24.72	\$130
EZ-CT1000-AG00	1000	8.33/4.17	3.9	69	6.375	5.125	6.125	5.313	3.750	9/16 x 9/32	25.74	\$145
EZ-CT1500-AG00	1500	12.5/6.25	3.9	101	6.375	6.625	6.625	5.313	5.125	9/16 x 9/32	36.75	\$195

Dimensions



All Dimensions
In Inches

Wiring & Schematic



Group HG - 208/277/380 (Primary) / 120/240 VAC (Secondary) Control Transformers Specs

Primary Voltage : 208 , 277 , 380 VAC

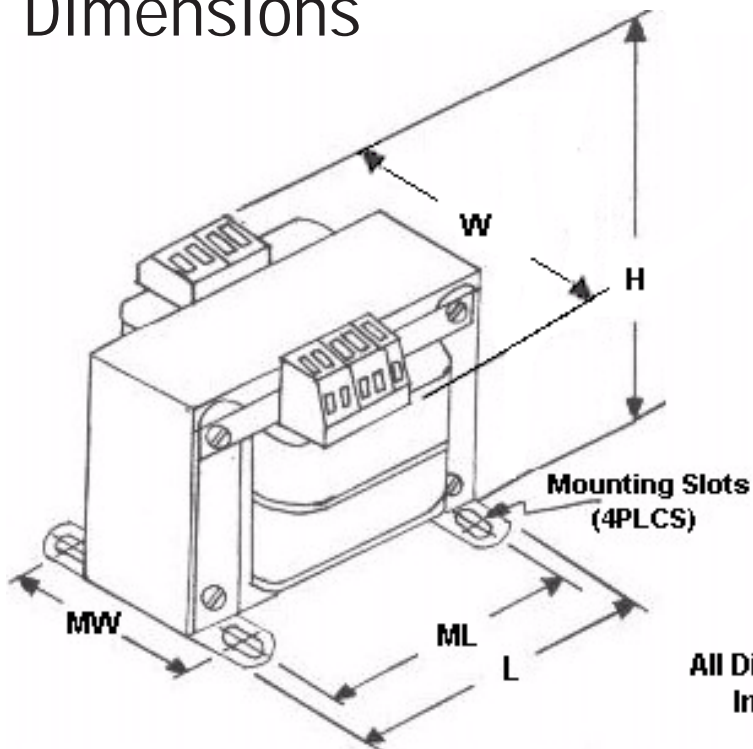
@ 50/60Hz

Secondary Voltage : 120/240 VAC



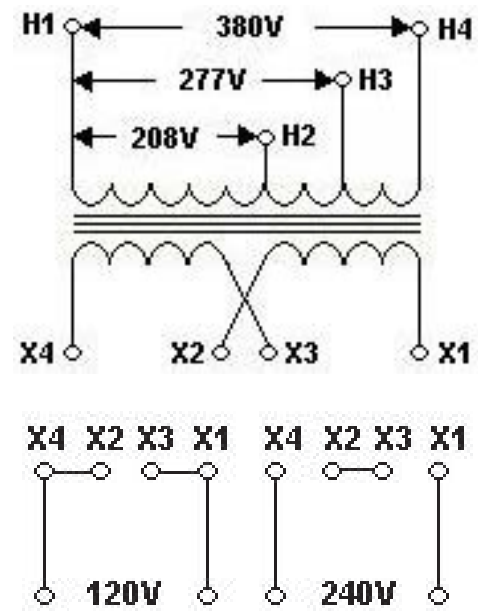
Part Number	VA	Output Current (Amps) 120/240	Impedance %z	Total Heat Dissipation (Watts)	Overall Dimensions			Mounting Centers		Mt. Slot (4PLCS)	Wt. Lbs	Price
					L	W	H	ML	MW			
EZ-CT0050-HG00	50	0.42/0.21	8.3	11	3.000	3.563	2.750	2.500	2.250	3/8 x 13/64	2.72	\$39
EZ-CT0075-HG00	75	0.63/0.31	8.7	14	3.000	3.750	2.750	2.500	2.438	3/8 x 13/64	3.10	\$40
EZ-CT0100-HG00	100	0.83/0.42	8.4	14	3.000	3.750	2.750	2.500	2.625	3/8 x 13/64	3.26	\$44
EZ-CT0150-HG00	150	1.25/0.63	8.0	18	3.750	4.125	3.375	3.125	2.750	3/8 x 13/64	5.82	\$58
EZ-CT0250-HG00	250	2.08/1.04	7.8	29	4.125	4.313	3.500	3.438	3.000	3/8 x 13/64	9.34	\$82
EZ-CT0350-HG00	350	2.92/1.46	7.0	33	4.500	4.813	3.875	3.750	3.500	3/8 x 13/64	11.50	\$98
EZ-CT0500-HG00	500	4.17/2.08	5.0	40	5.250	4.750	5.250	4.375	3.625	9/16 x 9/32	18.00	\$127

Dimensions



All Dimensions
In Inches

Wiring & Schematic



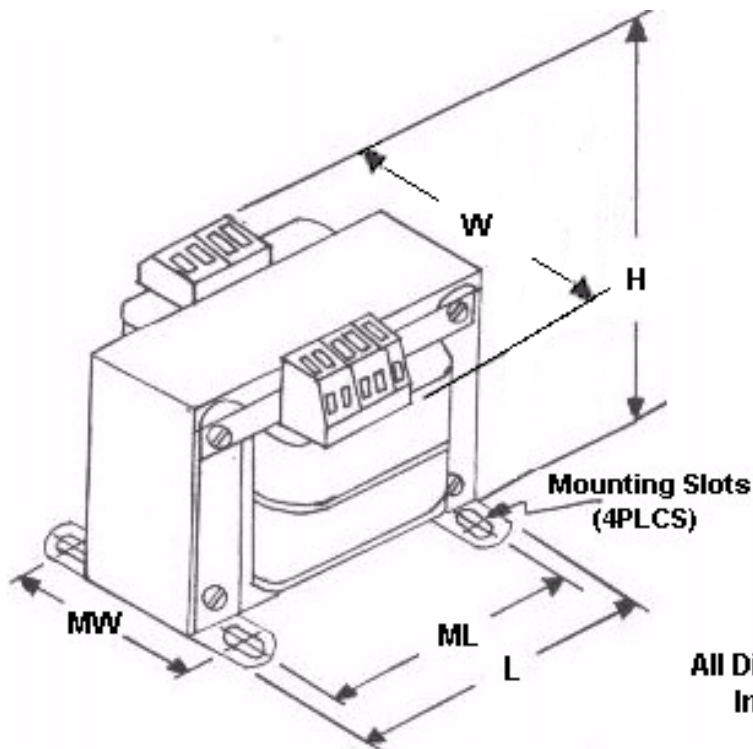
Group KA - 120/240 (Primary) / 12/24 VAC (Secondary) Control Transformers Specs

Primary Voltage : 120/240 VAC @ 50/60Hz60Hz
Secondary Voltage : 12/24 VAC



Part Number	VA	Output Current (Amps) 12/24	Impedance %z	Total Heat Dissipation (Watts)**	Overall Dimensions			Mounting Centers		Mt. Slot (4PLCS)	Wt. Lbs	Price
					L	W	H	ML	MW			
EZ-CT0050-KA00	50	4.17/2.08	8.3	11	3.000	3.563	2.750	2.500	2.250	3/8 x 13/64	2.72	\$34
EZ-CT0075-KA00	75	6.25/3.13	8.7	14	3.000	3.750	2.750	2.500	2.438	3/8 x 13/64	3.10	\$34
EZ-CT0100-KA00	100	8.33/4.17	8.4	14	3.000	3.750	2.750	2.500	2.625	3/8 x 13/64	3.26	\$39
EZ-CT0150-KA00	150	12.5/6.25	8.0	18	3.750	4.125	3.375	3.125	2.750	3/8 x 13/64	5.82	\$53
EZ-CT0250-KA00	250	20.8/10.4	7.8	29	4.125	4.313	3.500	3.438	3.000	3/8 x 13/64	9.34	\$67
EZ-CT0350-KA00	350	29.2/14.6	7.0	33	4.500	4.813	3.875	3.750	3.500	3/8 x 13/64	11.50	\$78
EZ-CT0500-KA00	500	41.7/20.8	5.0	40	5.250	4.750	5.250	4.375	3.625	9/16 x 9/32	18.00	\$99
EZ-CT0750-KA00	750	62.5/31.3	4.9	54	5.250	5.250	5.250	4.375	4.125	9/16 x 9/32	24.72	\$133
EZ-CT1000-KA00	1000	83.3/41.7	3.9	69	6.375	5.125	6.125	5.313	3.750	9/16 x 9/32	25.74	\$149

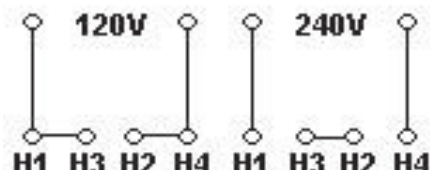
Dimensions



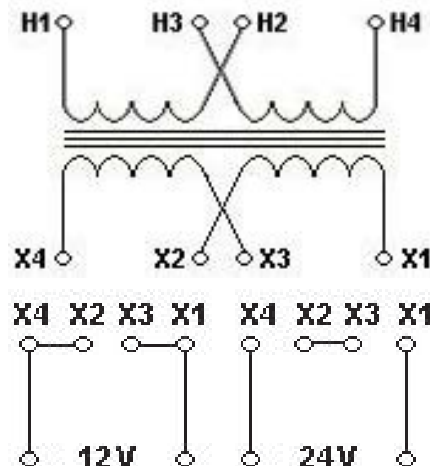
All Dimensions
In Inches

Wiring & Schematic

Connection Diagram



Schematic



Group JE - 240x480 (Primary) / 25x120 VAC (Secondary) Control Transformers Specs

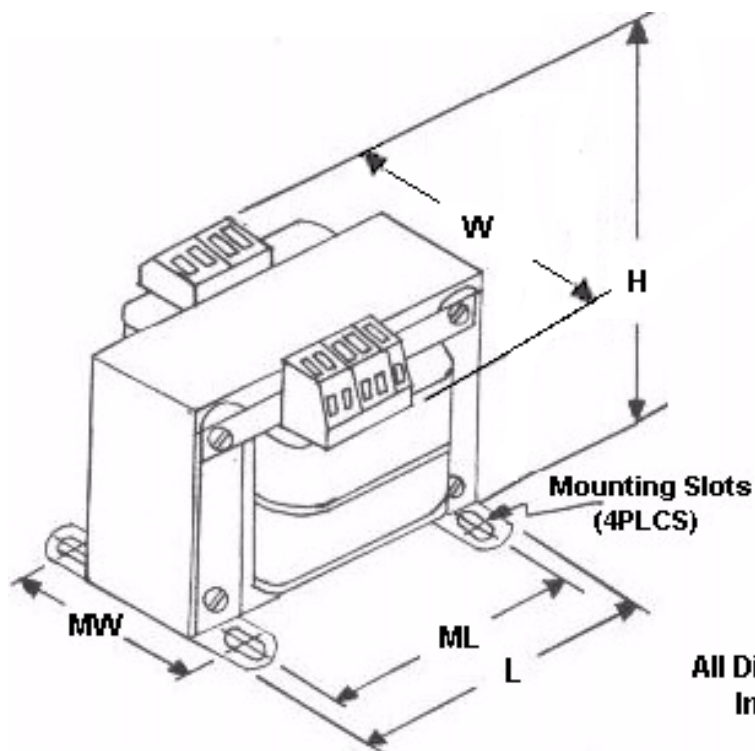
Primary Voltage : 240/480 VAC @ 50/60Hz

Secondary Voltage : 25/120 VAC



Part Number	VA	Output Current (Amps) 25/120	Impedance %Z	Total Heat Dissipation (Watts)**	Overall Dimensions			Mounting Centers		Mt. Slot (4PLCS)	Wt. Lbs	Price
					L	W	H	ML	MW			
EZ-CT0050-JE00	50	2.0/0.47	8.3	11	3.000	3.563	2.750	2.500	2.250	3/8 x 13/64	2.72	\$39
EZ-CT0100-JE00	100	4.0/0.83	8.4	14	3.000	3.750	2.750	2.500	2.625	3/8 x 13/64	3.26	\$44
EZ-CT0250-JE00	250	10.0/2.08	7.8	29	4.125	4.313	3.500	3.438	3.000	3/8 x 13/64	9.34	\$83
EZ-CT0350-JE00	350	14.0/2.92	7.0	33	4.500	4.813	3.875	3.750	3.500	3/8 x 13/64	11.50	\$99
EZ-CT0500-JE00	500	20.0/4.17	5.0	40	5.250	4.750	5.250	4.375	3.625	9/16 x 9/32	18.00	\$126

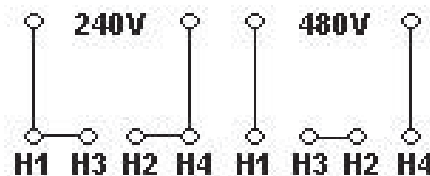
Dimensions



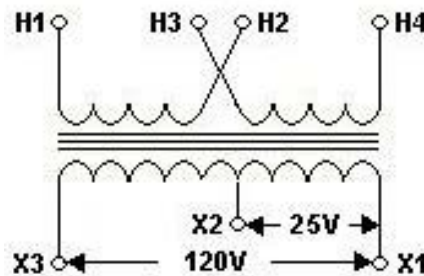
All Dimensions
In Inches

Wiring & Schematic

Connection Diagram

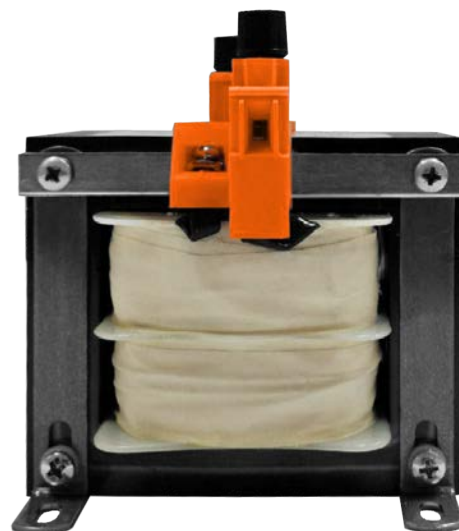


Schematic



EZ Transformers Specifications

- **Group AG**
 1. **Primary Voltage : 240/480 VAC @ 50/60Hz**
 2. **Secondary Voltage : 120/240 VAC**
- **Group HG**
 1. **Primary Voltage : 208/277/380 VAC @ 50/60Hz**
 2. **Secondary Voltage : 120/240 VAC**
- **Group KA**
 1. **Primary Voltage : 120/240 VAC @ 50/60Hz**
 2. **Secondary Voltage : 12/24 VAC**
- **Group JE**
 1. **Primary Voltage : 240/480 VAC @ 50/60Hz**
 2. **Secondary Voltage : 25/120 VAC**



Specification	Detail
Frequency	50/60 Hz
Operating Temperature	-20° to 40°C (-4° to 104°F)
Wire	UL 1015, Gauge: AWG (depending on power rating)

EZ Transformers Fuse Kit Accessories

Touch Safe Primary and Secondary Fuse Kits



EZ Fuse Kit Table		
Part Number	Description	Price
EZCT-PF-1	Primary side Voltage Fuse Kit 50 - 250 VA, Slow blowing fuse	\$6
EZCT-PF-2	Primary side Voltage Fuse Kit 300 - 500 VA, Slow blowing fuse	\$8
EZCT-PF-3	Primary side Voltage Fuse Kit 750 - 1500 VA, Slow blowing fuse	\$10
EZCT-SF-1	Secondary side Voltage Fuse Kit 50 - 250 VA, Fast acting fuse	\$6
EZCT-SF-2	Secondary side Voltage Fuse Kit 300 - 500 VA, Fast acting fuse	\$8
EZCT-SF-3	Secondary side Voltage Fuse Kit 750 - 1500 VA, Fast acting fuse	\$10