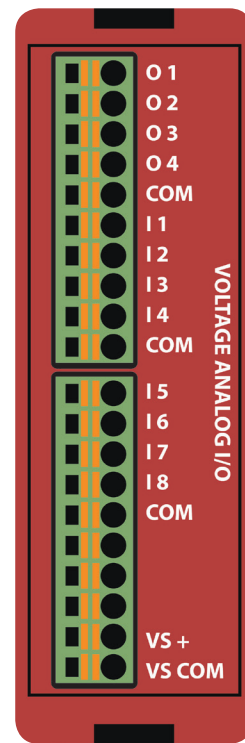




8 pt. Analog In/4 pt. Analog Out Module (Voltage)

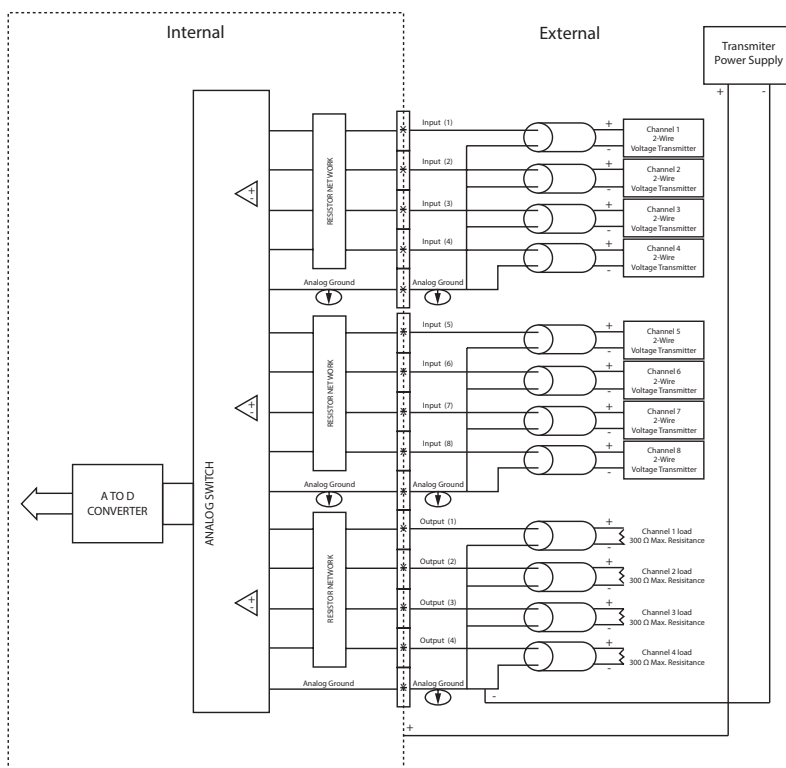
EZRPL-IO-8ANI4ANOV
\$199



EZRPL-IO-8ANI4ANOV

Module Specifications		
Analog Voltage Input Specs	Number of Channels	8 single ended (2 commons)
	Input Range	0-10V
	Resolution	12 bit (1-4096)
	Step Response	200µs to 95% of FS
	Crosstalk	1/2 count max, -80db
	Input Impedance	>20KΩ
	Absolute Max Ratings	± 15V
	Converter Type	successive approximation
	Linearity Error (end to end)	± 2 count
	Input Stability	± 2 count
	Gain Error	± 2 counts
	Offset Calibration Error	± 5 counts
	Max Inaccuracy	± 0.2% at 25°C, ± 0.4% at 0-60°C
Accuracy vs. Temperature	± 50 ppm/°C typical	
Analog Voltage Output Specs	Number of Channels	4 single ended (1 common)
	Output Range	0-10 VDC
	Resolution	12 bits (1 in 4096)
	Conversion Setting Time	100 µs for FS
	Crosstalk	1/2 count max, -80db
	Peak Output Voltage	± 18 VDC
	Offset Error	± 0.15% of range
	Gain Error	± 0.3% of range
	Linearity Error (end to end)	± 1 count
	Output Stability	± 2 counts
	Load Impedance	2k Ω min.
Load Capacitance	.01 microF max	
Accuracy vs. Temperature	± 50 ppm/C typical	

Pinout Information			
1	Output(1)	11	Input(5)
2	Output(2)	12	Input(6)
3	Output(3)	13	Input(7)
4	Output(4)	14	Input(8)
5	COM	15	COM
6	Input(1)	16	Not Connected
7	Input(2)	17	Not Connected
8	Input(3)	18	Not Connected
9	Input(4)	19	+VS
10	COM	20	VS-COM



Module Specifications	
Operating Temperature	-20 °C to 60 °C
Storage Temperature	-20 °C to 70 °C
Relative Humidity	5 to 95 %
Removable Terminal Block	300 Volt/8 Amp/ 14 AWG UL Rating
Vibration	MIL STD 810C 514.2
Shock	MIL STD 810C 516.2
Noise Immunity	NEMA ICS3-304