

EZMarquee - 4 Lines 20 Characters (Indoor)

4 Lines 20 Characters - NEMA 12

The 4 Line 20 Char EZMarquee can hold up to a maximum of 20 characters (2") per line and features 4 lines of RED/Tri-Color LEDs. EZMarquees are enclosed in NEMA 12 extruded aluminum housing with NEMA ICS 2-230 level of electrical noise immunity.

All 4 Line 20 Character models are capable of communicating over RS232 and RS422/485 along with different models for Ethernet, DeviceNet and Profibus connectivity.

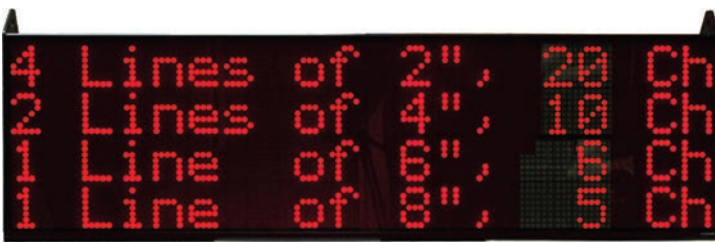
Characteristics:

Character Height:	2" / 4" / 6" / 8"
Characters per Line:	20 / 10 / 6 / 5
Number of Lines:	4 / 2 / 1 / 1
Visibility:	100'/200'/300'/400'

4 Lines 20 Characters feature:

- 4 lines of 20 characters max
- Pre-matched LEDs
- 24 Hour Burn-In tested
- International Character Set
- Hang Mounting
- NEMA 12 Housing
- NEMA ICS 2-230
- 110/220 VAC Power Input
- Surge Protection
- 100,000+ Hours Rated Life

See the different communication interface options available in the charts below



RED Indoor

Model Number	Interface	Price	Del.
EZMR-4L20C	RS232 and RS422/485 only	\$1899	STK
EZMR-4L20C-E	Ethernet included	\$1999	3DAY
EZMR-4L20C-D	DeviceNet included	\$1999	3DAY
EZMR-4L20C-P	Profibus included	\$1999	3DAY



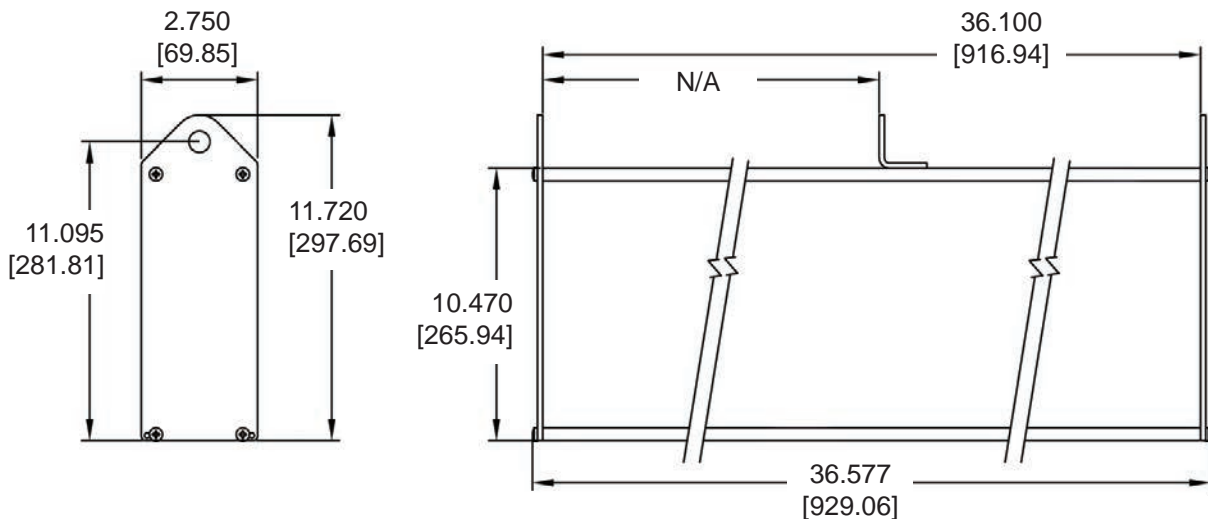
TRI color Indoor

Model Number	Interface	Price	Del.
EZMT-4L20C	RS232 and RS422/485 only	\$2299	STK
EZMT-4L20C-E	Ethernet included	\$2299	3DAY
EZMT-4L20C-D	DeviceNet included	\$2399	3DAY
EZMT-4L20C-P	Profibus included	\$2399	3DAY

RED High-bright

Model Number	Interface	Price	Del.
EZMRH-4L20C	RS232 and RS422/485 only	\$3799	STK
EZMRH-4L20C-E	Ethernet included	\$3999	3DAY
EZMRH-4L20C-D	DeviceNet included	\$3999	3DAY
EZMRH-4L20C-P	Profibus included	\$3999	3DAY

4 Lines 20 Characters Dimensions





EZMarquee 4 Line 20 Character and 4 Line 40 Character Selection Guide and Specifications (Indoor)

EZ Marquee Indoor Model Specifications					
Part Number	EZMR-4L20C \$1899 EZMR-4L20C-E \$1999 EZMR-4L20C-D \$1999 EZMR-4L20C-P \$1999 EZMRH-4L20C \$3799 EZMRH-4L20C-E \$3999 EZMRH-4L20C-D \$3999 EZMRH-4L20C-P \$3999	EZMT-4L20C \$2299 EZMT-4L20C-E \$2299 EZMT-4L20C-D \$2399 EZMT-4L20C-P \$2399	EZMR-4L40C \$2799 EZMR-4L40C-E \$2999 EZMR-4L40C-D \$2899 EZMR-4L40C-P \$2999 EZMRH-4L40C \$5699 EZMRH-4L40C-E \$5999 EZMRH-4L40C-D \$5999 EZMRH-4L40C-P \$5999	EZMT-4L40C \$3799 EZMT-4L40C-E \$3999 EZMT-4L40C-D \$3899 EZMT-4L40C-P \$3999	
Display Type for Indoor	RED LED	TRI-Color LED	RED LED	TRI-Color LED	
Display Type for "H"	RED Sunlight Readable 8000 nits		RED Sunlight Readable 8000 nits		
Specification	4 Lines of 20 Char (2")		4 Lines of 40 Char (2")		
Max. Viewable Distance	400 Feet with 8" Characters				
Power Consumption	55 watts	100 watts	100 watts	180 watts	
Agency Approvals	UL, CUL, CE, pending				
Enclosure	NEMA 12 (Indoor only)				
Operating Temperature	-20° to 60° C Ambient				
Storage Temperature	-40° to 95° C Ambient				
Humidity	10% to 95% RH, Non-Condensing				
Input Power	110/220 VAC, 47-63Hz				
Electrical Interference	NEMA ICS 2-230 Showering Arc Test				
Electrical Tolerance	ANSI C37.90a-1974 (SWC) Surge With-Stand Capability Test				
Vibration	5 - 55 Hz 2G for 2 hours in the X, Y, and Z axis				
Shock	10G for under 12ms in the X, Y, and Z axis				
Serial Communications	Port 1 RS232; Port 2 RS422/485				
External Dimensions	36.577" x 11.720" x 2.750" (929.06 x 297.69 x 69.85mm)		72.450" x 11.720" x 2.750" (1840.24 x 297.69 x 69.85mm)		
Weight	15 lbs	16 lbs	30 lbs	32 lbs	