

EZMarquee - 2 Lines 10 Characters (Indoor)

2 Lines 10 Characters - NEMA 12

The 2 Line 10 Char EZMarquee can hold up to a maximum of 10 characters (2") per line and features 2 lines of RED/Tri-Color LEDs. EZMarquees are enclosed in NEMA 12 extruded aluminum housing with NEMA ICS 2-230 level of electrical noise immunity. All 2 Line 10 Character models are capable of communicating over RS232 and RS422/485 along with different models for Ethernet, DeviceNet and Profibus connectivity.

Characteristics:

Character Height: 2" / 4"
 Characters per Line: 10 / 5
 Number of Lines: 2 / 1
 Visibility: 100' / 200'

2 Lines 10 Characters feature:

- 2 lines of 10 characters max
- Pre-matched LEDs
- 24 Hour Burn-In tested
- International Character Set
- Hang Mounting
- NEMA 12 Housing
- NEMA ICS 2-230
- 110/220 VAC Power Input
- Surge Protection
- 100,000+ Hours Rated Life

See the different communication interface options available in the charts below



RED Indoor



TRI color Indoor

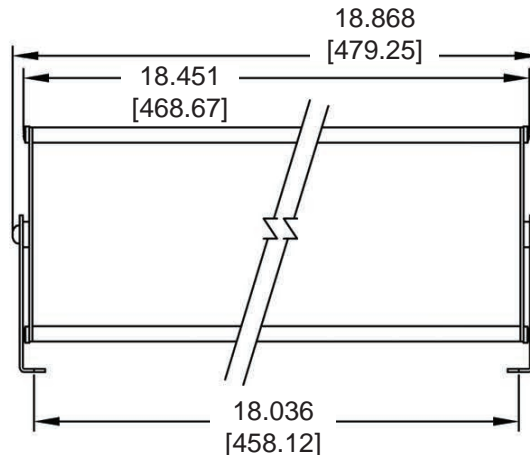
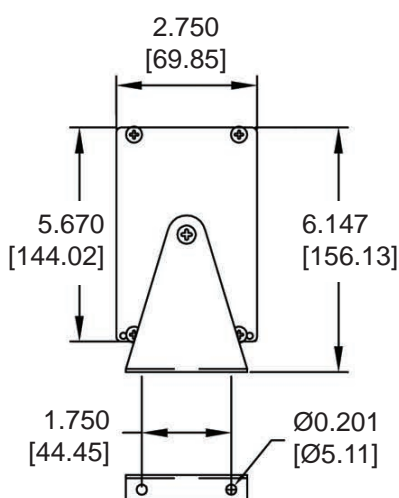
Model Number	Interface	Price	Del.
EZMR-2L10C	RS232 and RS422/485 only	\$699	STK
EZMR-2L10C-E	Ethernet included	\$809	3DAY
EZMR-2L10C-D	DeviceNet included	\$809	3DAY
EZMR-2L10C-P	Profibus included	\$849	3DAY

Model Number	Interface	Price	Del.
EZMT-2L10C	RS232 and RS422/485 only	\$849	STK
EZMT-2L10C-E	Ethernet included	\$999	3DAY
EZMT-2L10C-D	DeviceNet included	\$849	3DAY
EZMT-2L10C-P	Profibus included	\$999	3DAY

RED High-bright

Model Number	Interface	Price	Del.
EZMRH-2L10C	RS232 and RS422/485 only	\$1399	STK
EZMRH-2L10C-E	Ethernet included	\$1599	3DAY
EZMRH-2L10C-D	DeviceNet included	\$1699	3DAY
EZMRH-2L10C-P	Profibus included	\$1699	3DAY

Dimensions



MOUNTING HOLE CENTERS



EZMarquee 1 Line 10 Character and 2 Line 10 Character Selection Guide and Specifications (Indoor)

EZ Marquee Indoor Model Specifications				
Part Number	EZMR-1L10C \$449 EZMR-1L10C-E \$549 EZMR-1L10C-D \$549 EZMR-1L10C-P \$599 EZMRH-1L10C \$899 EZMRH-1L10C-E \$1199 EZMRH-1L10C-D \$1199 EZMRH-1L10C-P \$1199	EZMT-1L10C \$599 EZMT-1L10C-E \$699 EZMT-1L10C-D \$699 EZMT-1L10C-P \$799	EZMR-2L10C \$699 EZMR-2L10C-E \$809 EZMR-2L10C-D \$809 EZMR-2L10C-P \$849 EZMRH-2L10C \$1399 EZMRH-2L10C-E \$1599 EZMRH-2L10C-D \$1699 EZMRH-2L10C-P \$1699	EZMT-2L10C \$849 EZMT-2L10C-E \$999 EZMT-2L10C-D \$849 EZMT-2L10C-P \$999
Display Type for Indoor	RED LED	TRI-Color LED	RED LED	TRI-Color LED
Display Type for "H" models	RED Sunlight Readable 8000 nits		RED Sunlight Readable 8000 nits	
Specification	1 Line of 10 Char (2")		2 Lines of 10 Char (2")	
Max. Viewable Distance	100 Feet with 2" Characters		200 Feet with 4" Characters	
Power Consumption	8 watts	14 watts	15 watts	28 watts
Agency Approvals	UL, CUL, CE, pending			
Enclosure	NEMA 12 (Indoor only)			
Operating Temperature	-20° to 60° C Ambient			
Storage Temperature	-40° to 95° C Ambient			
Humidity	10% to 95% RH, Non-Condensing			
Input Power	110/220 VAC, 47-63Hz			
Electrical Interference	NEMA ICS 2-230 Showering Arc Test			
Electrical Tolerance	ANSI C37.90a-1974 (SWC) Surge With-Stand Capability Test			
Vibration	5 - 55 Hz 2G for 2 hours in the X, Y, and Z axis			
Shock	10G for under 12ms in the X, Y, and Z axis			
Serial Communications	Port 1 RS232; Port 2 RS422/485			
External Dimensions	18.9" x 4.8" x 2.8" (479.25 x 121.43 x 69.85mm)		18.9" x 6.2" x 2.8" (479.25 x 156.13 x 69.85mm)	
Weight	2.8 lbs	3 lbs	5 lbs	5.2 lbs